

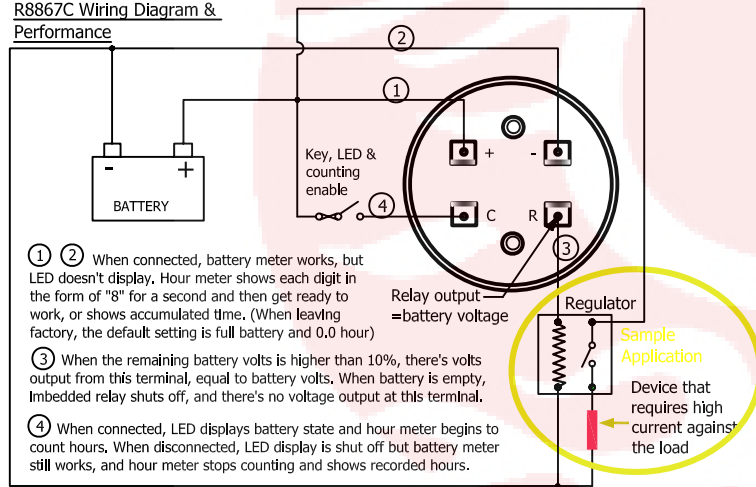
### R8867C Terminal Assignments

+	Battery +
-	Battery -
R	Inbedded Relay Output + --Output equals to battery volts+ --Some application is demonstrated in the below wiring diagram --Relay Maximum power supply: 90W
C	Hour meter counting enable & LED BDI display enable --Connected to B+ after the Key. When the key is turned on, LED displays battery state and hour meter begins to count hours. When the key is turned off, BDI still works but the LED display is shut off, and hour meter shows the recorded hours.

Battery Indicator R8867C-12 (L73-2.05) Made in P.R.C.	Battery Indicator R8867C-24 (L73-2.05) Made in P.R.C.	Battery Indicator R8867C-36 (L73-2.05) Made in P.R.C.
Battery Indicator R8867C-48 (L73-2.05) Made in P.R.C.	Battery Indicator R8867C-72 (L73-2.05) Made in P.R.C.	Battery Indicator R8867C-80 (L73-2.05) Made in P.R.C.

\*In R8867C series, the hour meter can't be reset.

### R8867C Wiring Diagram & Performance



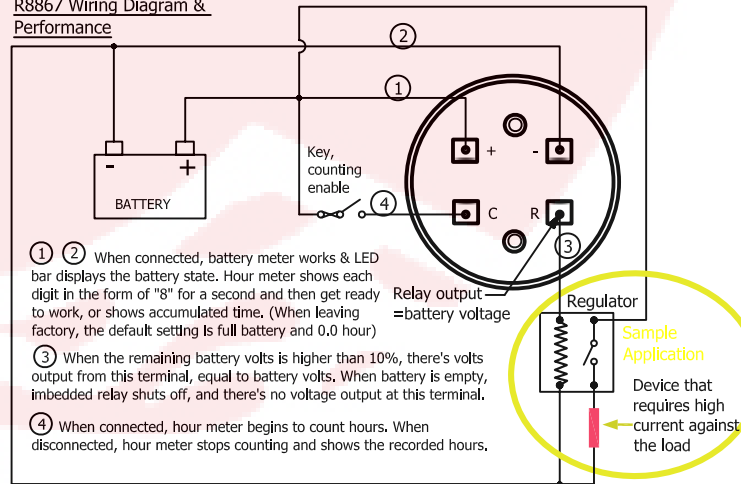
### R8867 Terminal Assignments

+	Battery +
-	Battery -
R	Inbedded Relay Output + --Output equals to battery volts+ --Some application is demonstrated in the below wiring diagram --Relay Maximum power supply: 90W
C	Hour meter counting enable --Connected to B+ after the Key. When the key is turned on, hour meter begins to count hours. When the key is turned off, hour meter shows the accumulated hours.

Battery Indicator R8867-12 (L73-2.05) Made in P.R.C.	Battery Indicator R8867-24 (L73-2.05) Made in P.R.C.	Battery Indicator R8867-36 (L73-2.05) Made in P.R.C.
Battery Indicator R8867-48 (L73-2.05) Made in P.R.C.	Battery Indicator R8867-72 (L73-2.05) Made in P.R.C.	Battery Indicator R8867-80 (L73-2.05) Made in P.R.C.

\*In R8867 series, the hour meter can't be reset.

### R8867 Wiring Diagram & Performance



Unless specified, tolerance comply to GB/T1804-M

All details in this file is highly confidential. Unauthorized usage, dissemination, distribution, copying of this file without permission of SHAOXING HUAZHEN Electronic Co.,Ltd is to be subject to legal privilege under the regulations of SHAOXING HUAZHEN Electronic Co., Ltd.

Thinking of the environment before printing this file.

PROPRIETARY NOTICE	ISO A3	1	4 terminals battery/hour meter			Article No./Reference	
THIS PRINT CONTAINS INFORMATION PROPRIETARY TO SHAOXING HUAZHEN ELECTRONIC CO LTD AND MAY NOT BE USED OTHER THAN FOR PURPOSES OF SHAOXING HUAZHEN ELECTRONIC CO LTD WITHOUT PRIOR EXPRESS WRITTEN APPROVAL OF AN OFFICER OF SHAOXING HUAZHEN ELECTRONIC CO LTD.	Designed by	Checked by	Approved by - date	File name	Date	Scale	
	GXM	REBECCA	REBECCA-2012/07/08	R8867	2012/07/08	1:1	
紹興華臻電子有限公司 SHAOXING HUAZHEN ELECTRONIC CO. LTD				BATTERY/HOUR-METER			
				R8867(C)	Edition REV.A	Sheet 1/1	