

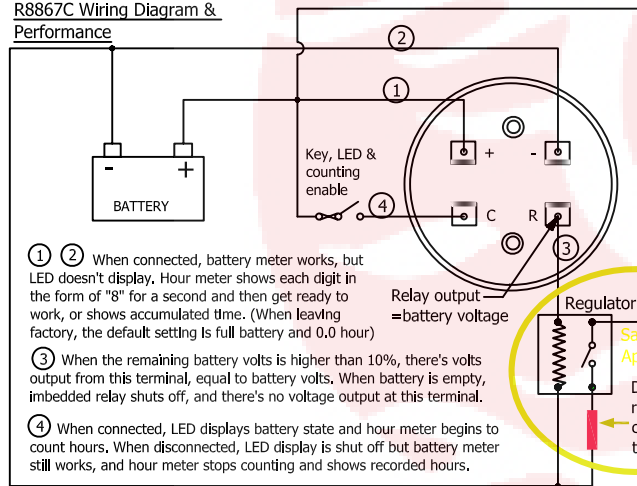
R8867NC Terminal Assignments

+	Battery +
-	Battery -
R	Inbedded Relay Output + --Output equals to battery volts+ --One application is demonstrated in the below wiring diagram --Relay Maximum power supply: 90W
C	Hour meter counting enable & LED BDI display enable --Connected to B+ after the Key. When the key is turned on, LED displays battery state and hour meter begins to count hours. When the key is turned off, BDI still works but the LED display is shut off, and hour meter shows the recorded hours.



*In R8867NC series, the hour meter can't be reset.

R8867C Wiring Diagram & Performance

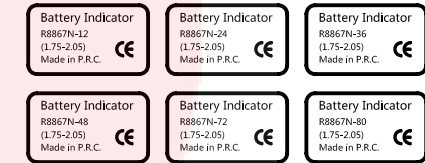


- ① ② When connected, battery meter works, but LED doesn't display. Hour meter shows each digit in the form of "8" for a second and then get ready to work, or shows accumulated time. (When leaving factory, the default setting is full battery and 0.0 hour)
- ③ When the remaining battery volts is higher than 10%, there's volts output from this terminal, equal to battery volts. When battery is empty, imbedded relay shuts off, and there's no voltage output at this terminal.
- ④ When connected, LED displays battery state and hour meter begins to count hours. When disconnected, LED display is shut off but battery meter still works, and hour meter stops counting and shows recorded hours.

Sample Application
Device that requires high current against the load

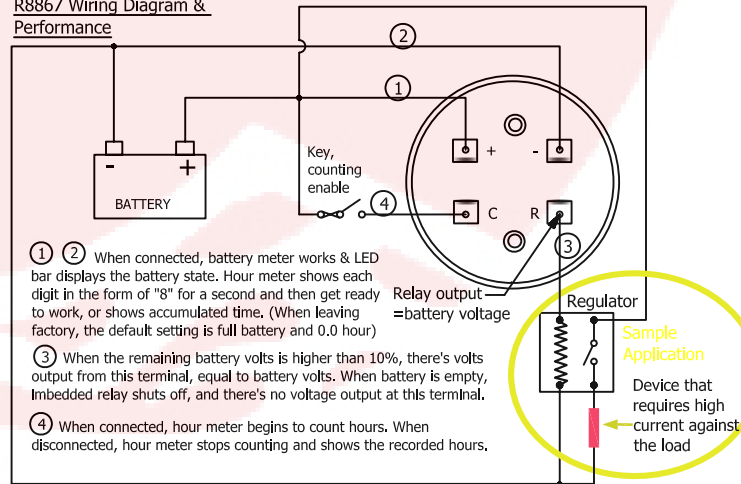
R8867N Terminal Assignments

+	Battery +
-	Battery -
R	Inbedded Relay Output + --Output equals to battery volts+ --Some application is demonstrated in the below wiring diagram --Relay Maximum power supply: 90W
C	Hour meter counting enable --Connected to B+ after the Key. When the key is turned on, hour meter begins to count hours. When the key is turned off, hour meter shows the accumulated hours.



*In R8867 series, the hour meter can't be reset.

R8867 Wiring Diagram & Performance



- ① ② When connected, battery meter works & LED bar displays the battery state. Hour meter shows each digit in the form of "8" for a second and then get ready to work, or shows accumulated time. (When leaving factory, the default setting is full battery and 0.0 hour)
- ③ When the remaining battery volts is higher than 10%, there's volts output from this terminal, equal to battery volts. When battery is empty, imbedded relay shuts off, and there's no voltage output at this terminal.
- ④ When connected, hour meter begins to count hours. When disconnected, hour meter stops counting and shows the recorded hours.

Sample Application
Device that requires high current against the load

Unless specified, tolerance comply to GB/T1804-M

All details in this file is highly confidential. Unauthorized usage, dissemination, distribution, copying of this file without permission of SHAOXING HUAZHEN Electronic Co.,Ltd is to be subject to legal privilege under the regulations of SHAOXING HUAZHEN Electronic Co., Ltd.

Thinking of the environment before printing this file.

PROPRIETARY NOTICE	ISO A3	1	4-terminal battery/hour, shows charge & discharge process			Article No./Reference							
THIS PRINT CONTAINS INFORMATION PROPRIETARY TO SHAOXING HUAZHEN ELECTRONIC CO LTD AND MAY NOT BE USED OTHER THAN FOR PURPOSES OF SHAOXING HUAZHEN ELECTRONIC CO LTD WITHOUT PRIOR EXPRESS WRITTEN APPROVAL OF AN OFFICER OF SHAOXING HUAZHEN ELECTRONIC CO LTD.	Designed by	GXM	Checked by	REBECCA	Approved by - date	REBECCA-2012/07/08	File name	R8867	Date	2012/07/08	Scale	1:1	
BATTERY/HOUR-METER													
SHAOXING HUAZHEN ELECTRONIC CO. LTD								R8867N(C)		Edition	REV.A	Sheet	1/1



BATTERY/HOUR-METER

R8867N(C)

Edition
REV.A

Sheet
1/1